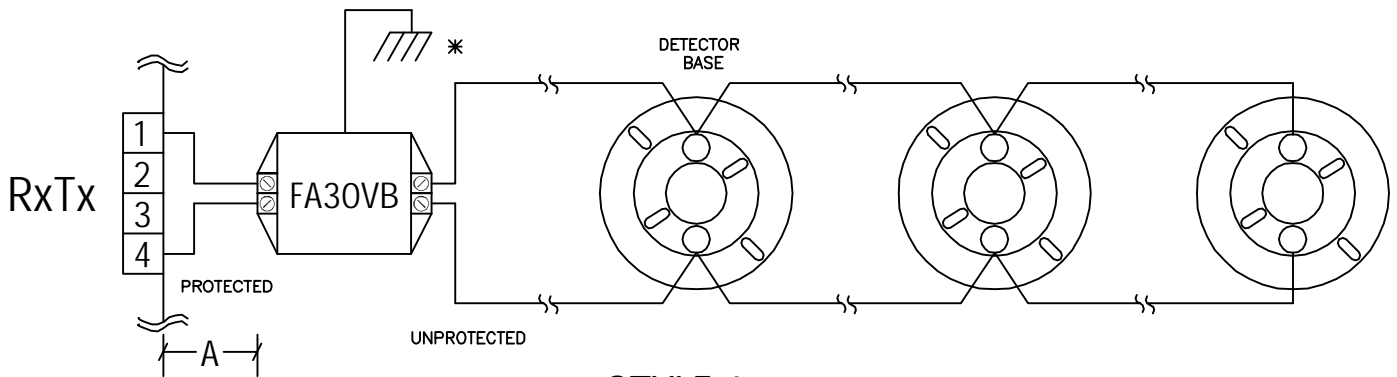
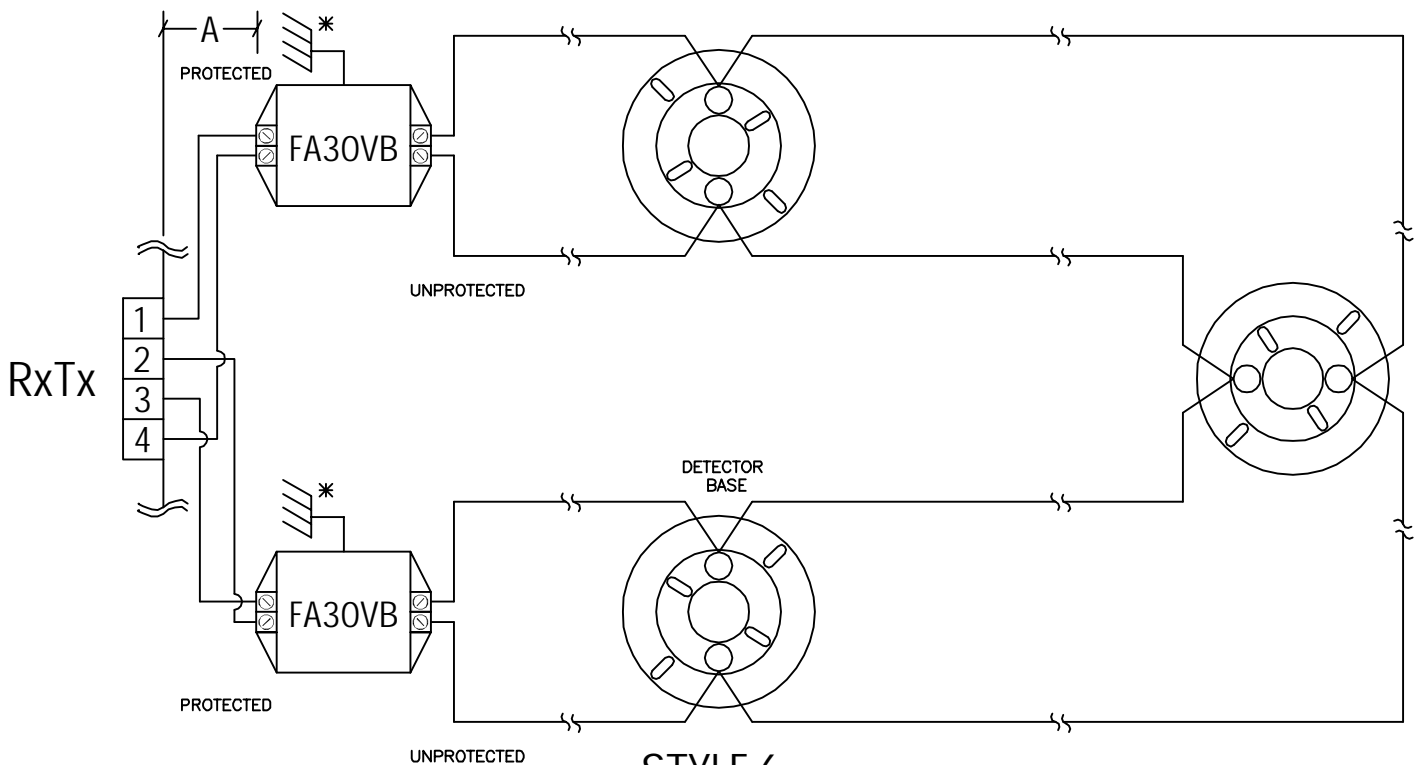


RxTx FIELD WIRING CONNECTION

DRAWING #1



STYLE 4



STYLE 6

TYPICAL SLC LOOP WIRING USING SURGE SUPPRESSORS

NOTES: 1. FOR SLC LOOPS USE FA30VB SURGE SUPPRESSORS

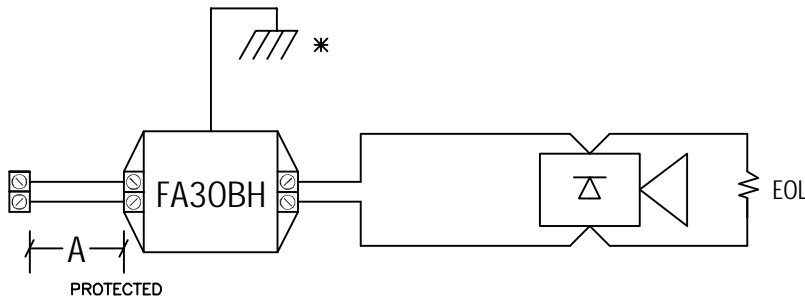
2. THE DISTANCE (A) FROM THE RxTx TERMINAL BLOCK TO THE SURGE SUPPRESSOR SHOULD NOT EXCEED 3 FEET.

* 3. IF SPIKE BLOCK IS USED, THE EARTH GROUND WIRES OF ALL THE SURGE SUPPRESSORS SHOULD BE CONNECTED TO THE DESIGNATED EARTH GROUND THROUGH THE SPIKE BLOCK AS ILLUSTRATED IN DRAWING #5

DRAWING #1-242311/1
SHEET 1 OF 5
SURGE SUPPRESSORS

SIGNAL OUTPUT CIRCUIT WIRING CONNECTION

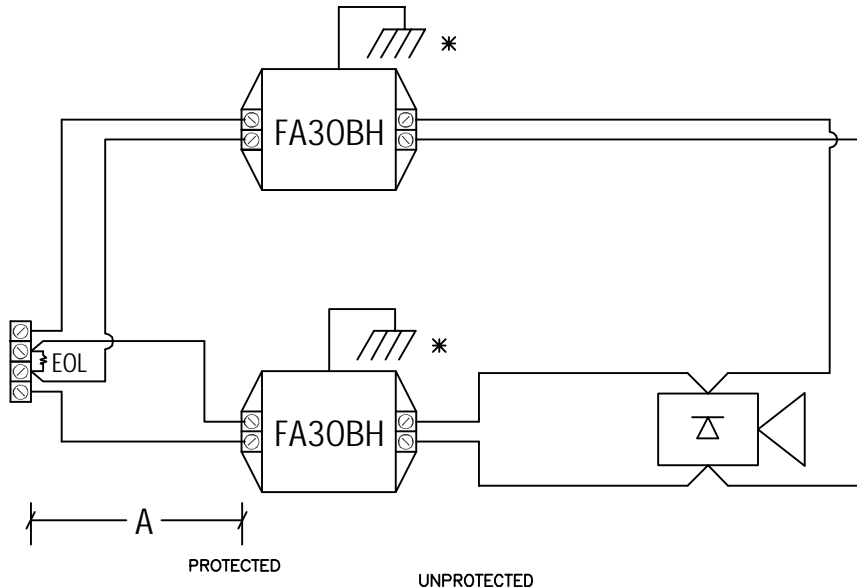
DRAWING #2



UNPROTECTED

(FOR SIGNAL OUTPUT MODULE OR RELEASE MODULE OR MICROPROCESSOR OUTPUT CIRCUITS MP1/MP2)

STYLE Y



UNPROTECTED

(FOR SIGNAL OUTPUT MODULE OR MICROPROCESSOR OUTPUT CIRCUITS MP1/MP2)

STYLE Z

NOTES: 1. FOR SIGNAL OUTPUT USE FA30VB SURGE SUPPRESSORS

2. THE DISTANCE (A) FROM THE OUTPUT TERMINALS TO THE SURGE SUPPRESSOR SHOULD NOT EXCEED 3 FEET.

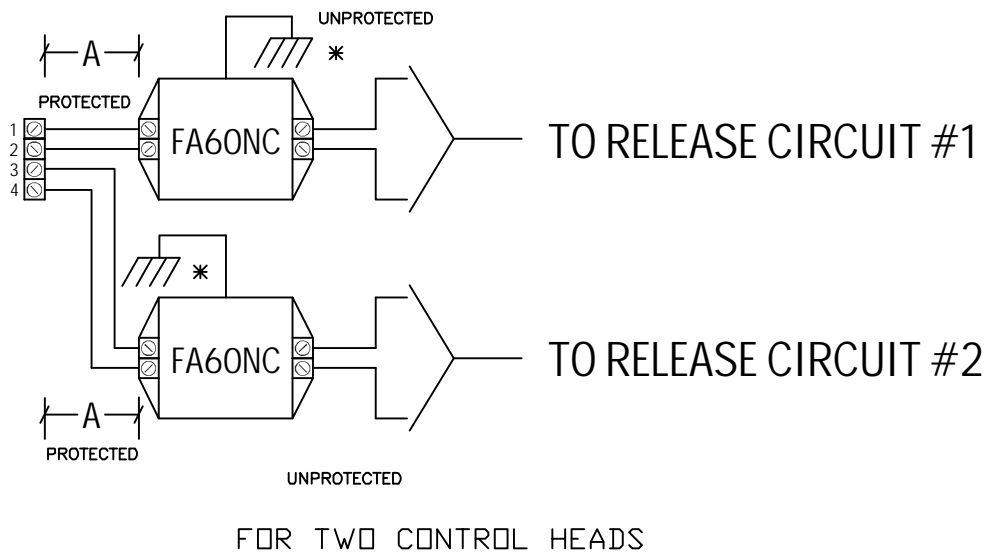
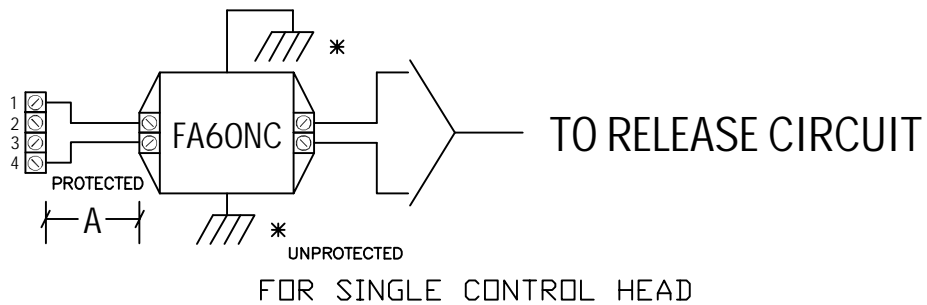
3. IF SPIKE BLOCK IS USED, THE EARTH GROUND WIRES OF ALL THE SURGE SUPPRESSORS SHOULD * BE CONNECTED TO THE DESIGNATED EARTH GROUND THROUGH THE SPIKE BLOCK AS ILLUSTRATED IN DRAWING #5

4. FOR TERMINAL DESIGNATIONS REFER TO THE MANUAL.

DRAWING #1-242311/2
SHEET 2 OF 5
SURGE SUPPRESSORS

RELEASE CIRCUIT FIELD WIRING CONNECTION

DRAWING #3



NOTES: 1. FOR RELEASE CIRCUIT USE FA60NC SURGE SUPPRESSORS

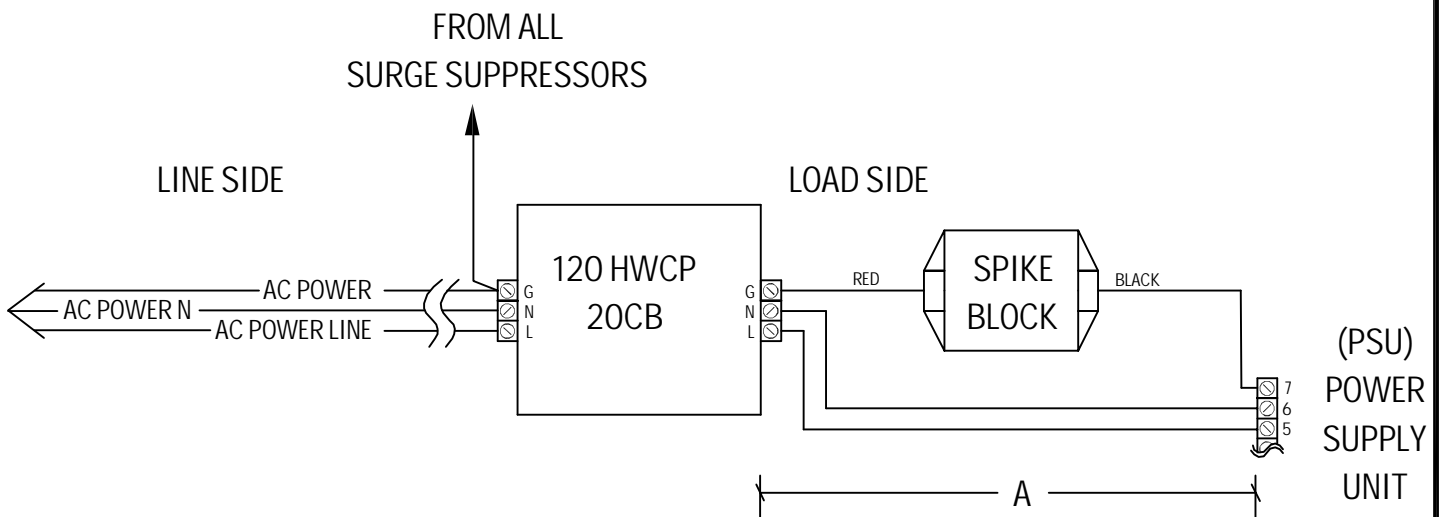
2. THE DISTANCE (A) SHOULD NOT EXCEED 3 FEET.

* 3. IF SPIKE BLOCK IS USED, THE EARTH GROUND WIRES OF ALL THE SURGE SUPPRESSORS SHOULD BE CONNECTED TO THE DESIGNATED EARTH GROUND THROUGH THE SPIKE BLOCK AS ILLUSTRATED IN DRAWING #5

DRAWING #1-242311/3
SHEET 3 OF 5
SURGE SUPPRESSORS

MAIN POWER WIRING CONNECTION

DRAWING #4

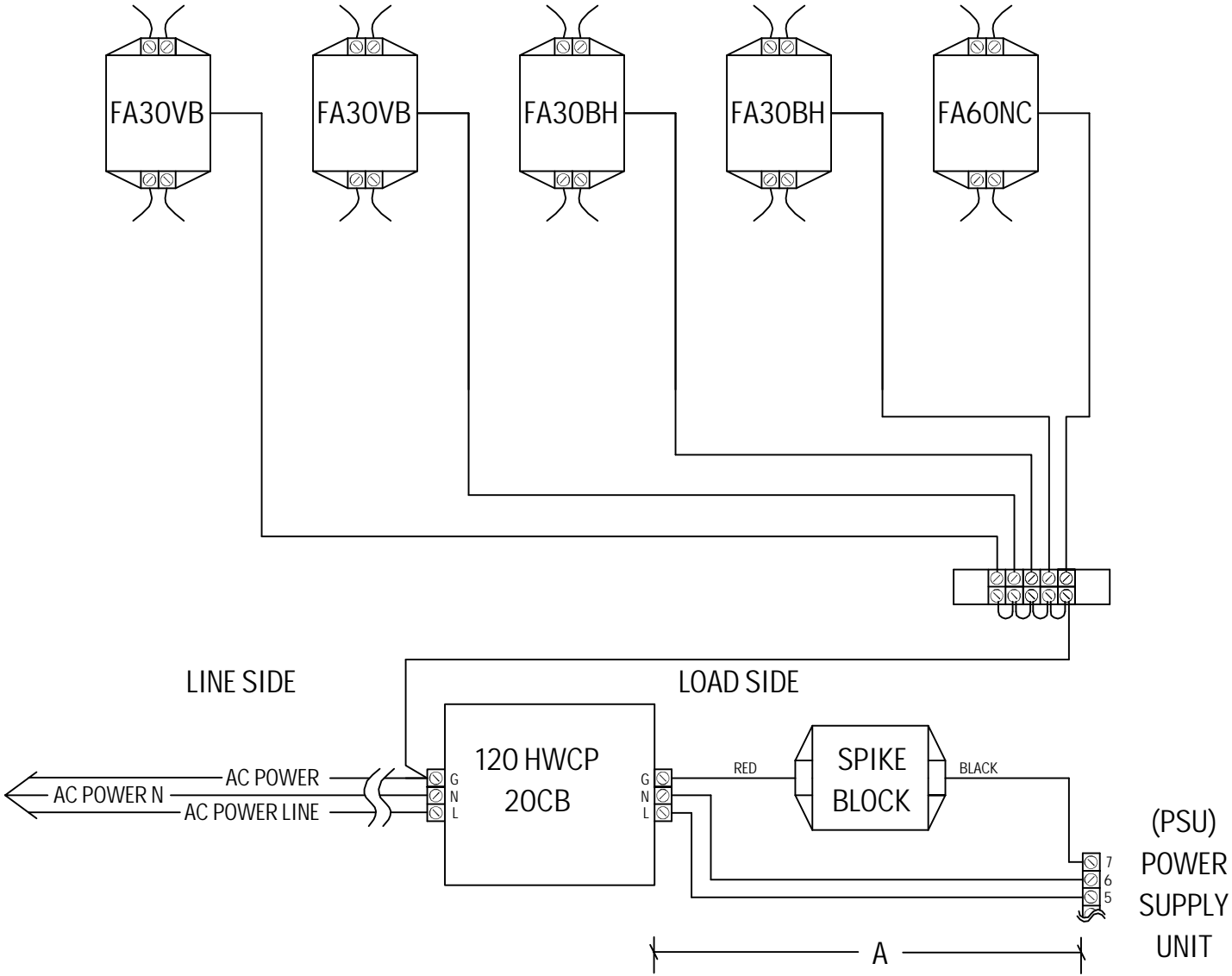


- NOTES:
1. FOR MAIN POWER (120VAC) USE 120HWCP20CB SURGE SUPPRESSORS
 2. THE DISTANCE (A) NOT TO EXCEED 3 FEET.
 - * 3. IF SPIKE BLOCK IS USED, THE EARTH GROUND WIRES OF ALL THE SURGE SUPPRESSORS SHOULD BE CONNECTED TO THE DESIGNATED EARTH GROUND THROUGH THE SPIKE BLOCK AS ILLUSTRATED IN DRAWING #5

DRAWING #1-242311/4
SHEET 4 OF 5
SURGE SUPPRESSORS

EARTH GROUND WIRE CONNECTION OF SURGE SUPPRESSORS

DRAWING #5



NOTES: *1. IF SPIKE BLOCK IS USED, THE EARTH GROUND WIRES OF ALL THE SURGE SUPPRESSORS SHOULD BE CONNECTED TO THE DESIGNATED EARTH GROUND THROUGH THE SPIKE BLOCK AS ILLUSTRATED ABOVE

DRAWING #1-242311/5
 SHEET 5 OF 5
 SURGE SUPPRESSORS